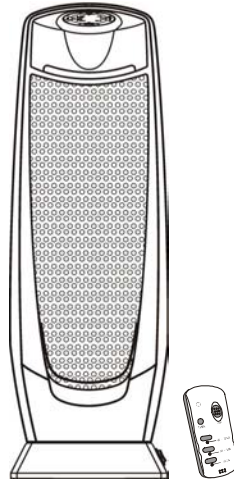


**OSCILLATING CERAMIC HEATER with REMOTE CONTROL
TECHNO TORRE CERAMICO**



READ AND SAVE THIS INSTRUCTION

Read carefully before attempting to assemble, install, operate or maintain the heater.

Protect yourself and others by observing all safety information.

Failure to comply with instruction could result in personal injury and/or property damage.

Retain instruction for future reference.

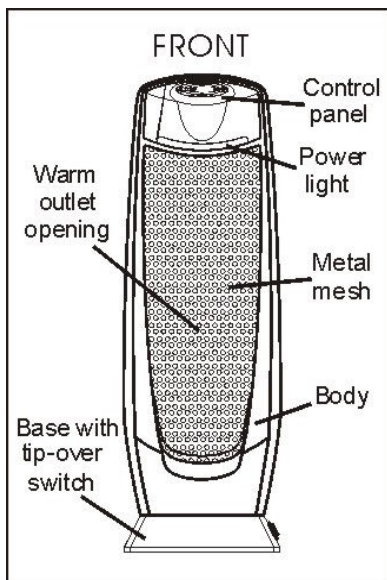


Figure 1

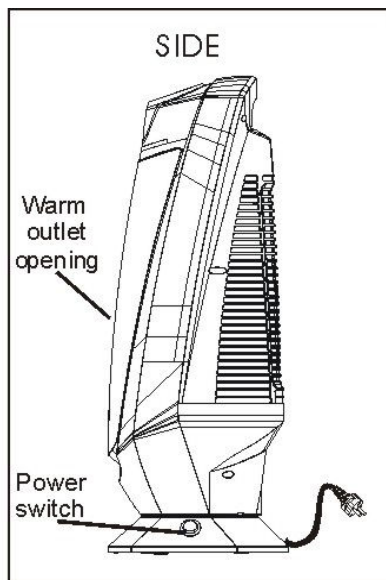


Figure 2

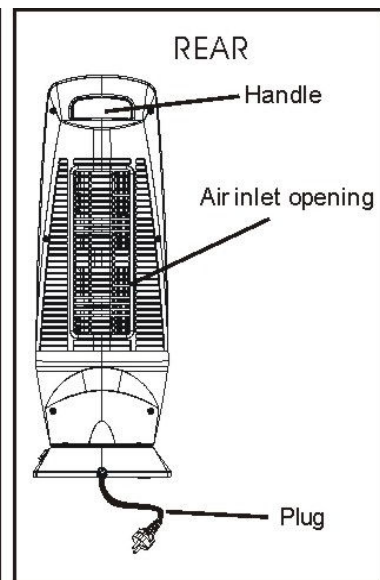


Figure 3

GENERAL SAFETY INFORMATION

1. Use this heater only as described in this manual. Any other use not recommended by the manufacturer may cause fire, electrical shock, or injury to persons.
2. Make certain that the power source conforms to the electrical requirements of heater.

(AC220-240V/50Hz)

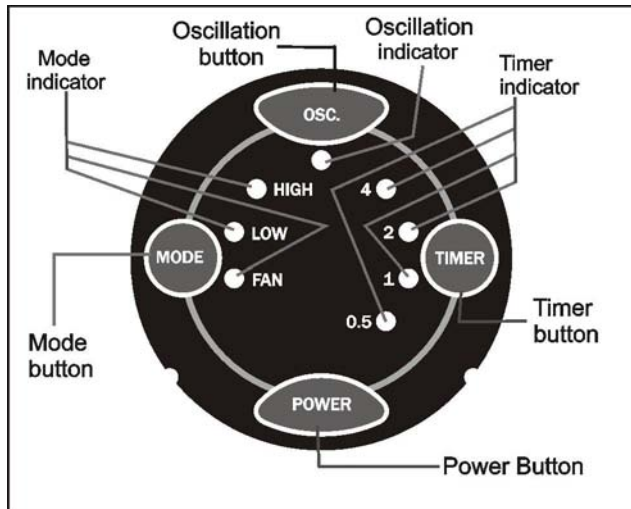
3. The appliance is not intended for use by young children or infirm persons without adequately supervision; Young children should be supervised to ensure that they do not play with the appliance.
4. To reduce the risk of electric shock, this plug is intended to fit in a correct outlet. If the plug of heater does not fit fully in the outlet, contact a qualified electrician.
5. Where possible, avoid using of extension cords because the extension cord may overheat and cause a risk of fire. Never use a single extension cord to operate more than one heater.
6. If the supply cord is damaged, it must be replaced by the manufacturer or its service agent or a similarly qualified person in order to avoid a hazard.
7. Do not insert or allow fingers or foreign objects to enter any ventilation or exhaust opening as it may cause an electric shock or fire or damage the heater. Do not block or tamper with the heater in any manner while it is in operation.
8. To prevent a possible fire, do not block air intakes or exhaust in any manner. Do not place heater on soft surfaces, like a bed, where openings may become blocked.
9. Always place the heater on a stable, flat, level surface when operating, to avoid the chance of the heater overturning. Locate the power cord so the heater or other objects are not resting on it, Do not run power cord under carpeting. Do not cover power cord with throw rugs, runners, or the like. Arrange power cord away from room traffic and where it will not be tripped over.
10. This heater is hot when in use. To avoid burns, do not let bare skin touch hot surfaces. Always use handle when moving this heater. Keep combustible materials, such as furniture, pillows, bedding, papers, clothes and curtains at least 0.9m from the front of the heater and keep them at least 0.3m from the sides and rear.
11. Do not use this heater in the immediate surroundings of a bath, a shower or a swimming pool.
12. The heater is intended for household indoor use only.



13. Do not cover! WARNING: In order to avoid overheating, do not cover the heater.
14. The heater must not be located immediately below a socket- outlet.
15. CAUTION: In order to avoid a hazard due to inadvertent resetting of the thermal cutout, this appliance must not be supplied through an external switching device, such as a timer, or connected to a circuit that is regularly switched on and off by the utility.

OPERATION

Control Panel: (Figure 4)



The heater may be operated by the manual controls located on the heater(as shown in FIGURE 4) or by the remote control(as shown in FIGURE 5)

The heater must be placed on a flat floor or the tip-over switch will shut it off automatically.

1. When heater is plugged in and turn on the power switch on the side of the unit base, there will be a “beep” and a red power light to indicate that there is power to the unit. The red power light will be lit until the heater is unplugged from the power outlet.

WARNING: Be sure plug fits tightly in power outlet. A loose fit will cause overheating and damage the plug.

NOTE: Plug and cord set may feel warm during normal usage.

2. **Power** button. Press this button will start the heater. Upon turning the heater on, the unit will be in the **FAN** mode (25 watts) and the **FAN** indicator will be light.
3. **Mode** button. When this button is pushed, LOW indicate light comes on and heater is in the low heat mode.(1100 watts)
4. Press the **Mode** button again and the LOW indicator light goes off and the HIGH indicator light comes on and the heater now is in HIGH mode (1800 watts).
5. **Timer** button. Press it once and the light comes on indicating 1/2 hour of time. Press it again and the light indicates 1 hours. Press it a third time and it indicates 1.5 hours. The total time that can be indicated at one time is 7.5 hours. Continuing to press the **Timer** button will cycle through the settings until all timer lights are off. When the time indicator lights are off, the heater will run continuously.
6. **Oscillation** button. Press this button and the Oscillation light comes on and the heater will oscillate back and forth. Press it again and the light will go out and the oscillation will stop.
7. The heater must be placed flat on the floor or the tip-over switch will shut it off automatically.
8. To disconnect heater, press “**Power**” button, and turn off the power switch, then remove plug from outlet.

**WARNING : DO NOT PLACE THE HEATER UNDER A POWER SOCKET
NEVER LOCATE THE HEATER INTO BATHROOM OR OTHER WET OR**

DAMP LOCATIONS

Remote control: (Figure 5)



Figure 5

1. Plug the heater into outlet and open the power switch on the side of the unit base.
2. Press the POWER button will start the heater.
3. The MODE, TIMER and OSC. buttons function in the exact same manner as listed in steps 3 through 7 of the operating instructions listed above.
4. When press any button once, the indicated light on remote will flash once.
5. The remote control is powered by two AAA batteries. There is a cover on the back of the remote control that can be removed for replacement of the batteries as required.

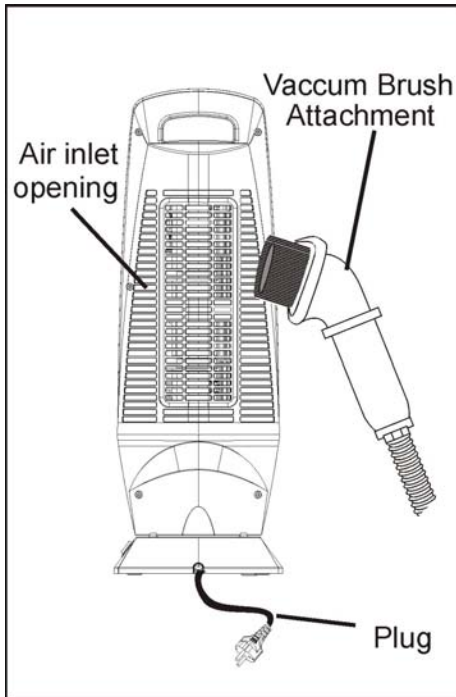
SAFETY FEATURES

1. This heater is equipped with a thermal overload protector. If the overheat temperature is reached, the heater will be automatically shut off. It can only resume operation when the user resets the unit. (See **RESET INSTRUCTION** below)

RESET INSTRUCTION

1. Unplug the heater and wait 10 minutes for the unit to cool down.
2. After the 10 minutes, plug the unit in again and operate normally.

MAINTENANCE



**WARNING: ALWAYS UNPLUG THE CORD BEFORE MOVING OR SERVICING.
DO NOT IMMERSE HEATER IN WATER.**

CLEANING: Clean the heater rear intake grills with the vacuum brush attachment on your vacuum cleaner. This will remove lint and dirt from the air intake of the heater. **DO NOT ATTEMPT TO TAKE HEATER APART. DO NOT REMOVE GRILL.** Clean the body of heater with a soft cloth moistened with a solution of mild detergent and water. Then dry it with another cloth.

CAUTION: Do not use gasoline, thinner, harsh cleaners, etc., as they will damage the heater. NEVER USE ALCOHOL OR SOLVENTS.

STORAGE: Store the heater with these instructions in the original carton in a cool, dry place.

CONFORMITY WITH DIRECTIVES

This product is CE marked to denote conformity with Directives 73/23/EEC (Low Voltage) and 89/336/EEC (Electromagnetic Compatibility), as amended.

This symbol on the product or its packaging indicates that the appliance cannot be treated as normal domestic trash, but must be handed in at a collection point for recycling electric and electronic appliances.



Your contribution to the correct disposal of this product protects the environment and is endangered by incorrect disposal.

Further information about the recycling of this product can be obtained from your local town hall, your refuse collection service, or in the store at which you bought the product.

This regulation is valid only in EU member states.